



## AWL Knows Park Lighting

Keeping your park well-lit isn't an option – it's a necessity. This makes the lighting you choose a critical business decision. We know the importance of a lighting package that is low maintenance, long lasting, energy efficient, and gives the proper light output for a clean, safe, and fun environment.

With our combination of distribution, maintenance, and energy retrofitting services, we are able to cover any and all of the lighting requirements that a park may have.

## About the Project

### Client Information

This sports park contained 300+ fixtures among four baseball/softball fields, one soccer field, a parking lot, and connecting pathways; yielding a high annual lighting energy consumption that cost over \$82,000 per year.

### Client Needs

Lowered operation costs, less maintenance, increased security and safety, higher light quality.

### Our Solution

We installed high-efficiency LED light fixtures throughout the entire park; removing and replacing the existing less-efficient metal halides. By utilizing PG&E's On-Bill Financing and finding applicable rebates, we were able to bring the project net cost down to zero dollars. Reducing their lighting energy consumption and estimated maintenance costs lowered their annual lighting cost by over \$48,000.

## Project Cost/Savings

### Implementation Cost

■ Total Cost:	<b>\$399,154</b>
■ Rebate:	\$71,420
■ OBF Loan:	\$327,734
■ Net Project Cost:	<b>\$0.00</b>
■ OBF Loan Term (months):	90

### Estimated Annual Savings

■ Energy Savings (kWH):	<b>207,445</b>
■ Lighting Energy Savings:	\$43,563
■ Maintenance Savings:	\$5,018
■ Total Annual Savings:	<b>\$48,581</b>

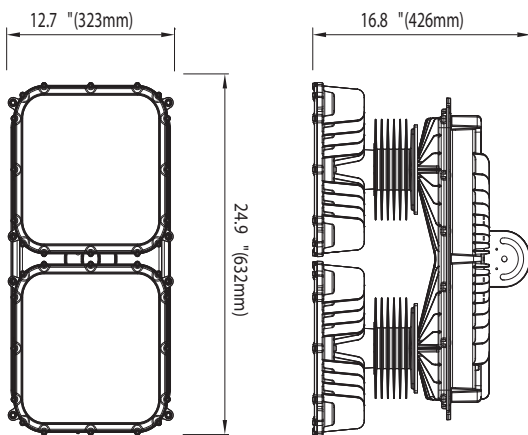


View of the baseball/softball field backstops and stadium lighting.

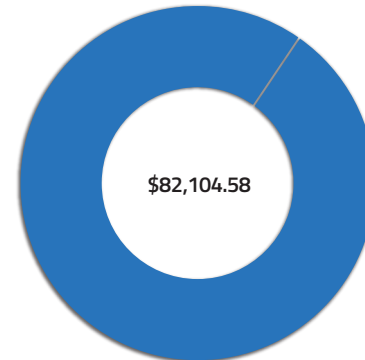
## Scope of Work

Area Description	Existing Fixtures				Proposed Energy Efficient Solution				Annual Savings				
	QTY	Fixture Description	AHO	Watts Fixture	Count	Measure Description	Watts Fixture	AHO	Annual Savings KWh	Annual Savings \$\$\$	Annual Savings KW	Existing KW	Proposed KW
Soccer Field	56	1500 Watt Metal Halide	800	1608	112	SUFA-X LED Flood Lighting - Sports Flood - SFX600 - H500158[WZ]	600	800	18,278	3,838.46	22.85	90.05	67.2
4 Baseball Fields	200	1500 Watt Metal Halide	800	1608	232	SUFA-X LED Flood Lighting - Sports Flood - SFX600 - H500158[WZ]	600	800	145,920	30,643.20	182.4	321.6	139.2
Parking Lot	13	250 Watt Metal Halide	4100	291	13	HollyLite - HLF-400MHA-XL - 110W Square Shoebox (Green)	110	4100	9,647	2,025.93	2.353	3.783	1.43
Pathway	4	175 Watt Metal Halide	4100	209	4	HollyLite - HLF-400MHA-AL - 60W Square Shoebox (Green)	60	4100	2,444	513.16	0.60	0.84	0.24
Mid-Pole Shoeboxes	12	400 Watt Metal Halide	4100	456	12	HollyLite by Brilliant - HLS-L180A - 180A Area Flood Fixture	150	4100	15,055	3,161.59	3.672	5.472	1.8
Wall Packs	17	250 Watt Metal Halide	4100	291	17	HollyLite by Brilliant - HLF-250HSW-L-60W Regular Wallpack	60	4100	16,101	3,381.15	3.93	4.95	1.02
<b>Totals</b>	<b>302</b>				<b>390</b>				<b>207,445</b>	<b>43,563</b>	<b>215.80</b>	<b>426.69</b>	<b>210.89</b>

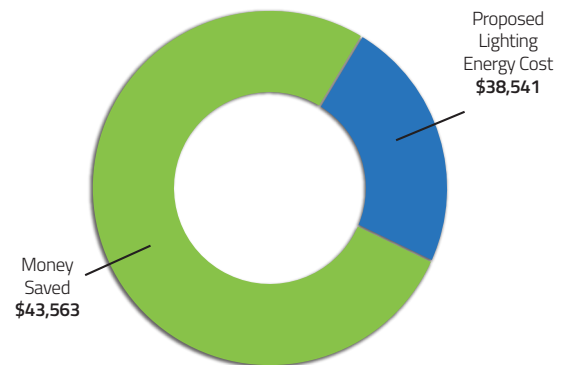
## Product Preview



## Current Annual Lighting Cost



## Utility Bill After Retrofit



## Next Steps

For more information, visit us online at [awlighting.com](http://awlighting.com) and request a free energy audit to find out how much you can save.